

CHATCHAI

**SPECIFICATION
OIL IMMERSED TRANSFORMER
1250 KVA. 3 Ph. 50 Hz
22000 - 400 / 230 V.**



CHATCHAI TRANSFORMER CO.,LTD

35/4 หมู่ 8 ต. ท่าไม้ อ.กระทุ่มแบน จ. สมุทรสาคร

Tel. 085-2961053 085-3151766

Information

CC

Project :

Rated powerKVA	1250	
Type of transformer	-	Oil immersed (Hermetically sealed)	
Standard	-	IEC 76	
Cooling System	-	ONAN	
No. Of phase	-	3	
FrequencyHz	50	
Rate of voltage : PrimaryV.	22000	
: SecondaryV.	400/230	
Vector group	-	Dyn 11	
Tapping Type	-	Off circuit tap changer	
No. of steps	-	5	
Percentage of tapping	-	$\pm 2 \times 2.5 \%$	
Impedance voltage at 75 C%	4	
NO - Load current%	1	
Ambient temperatureC	40	
Average Temperature rise of windingC	65	
Average Temperature rise of top oilC	60	
Noise level not more thandB	56	
No - Load lossWatt	1500	
Load loss at 75 CWatt	14750	
Efficiency at P.F. = 1	: 25 % of rate power%	98.94
	: 50 % of rate power%	98.08
	: 75 % of rate power%	98.79
	: 100 % of rate power%	98.56
Voltage regulation	: at P.F. = 0.8%	3.22
	: at P.F. = 0.9%	2.71
	: at P.F. = 1.%	1.17
Impulse Withstand Voltage	: Primary windingKV.	125
	: Secondary windingKV.	-
Power Frequency	: Primary windingKV.	50
	: Secondary windingKV.	3
Terminal arrangement H.V. Side			Cable
	L.V. Side		Cable
Installation on			Pole mounted / Platform



CHATCHAI TRANSFORMER CO.,LTD

35/4 หมู่ 8 ต. ท่าไม้ อ.กระทุ่มแบน จ. สมุทรสาคร

Tel. 085-2961053 085-3151766

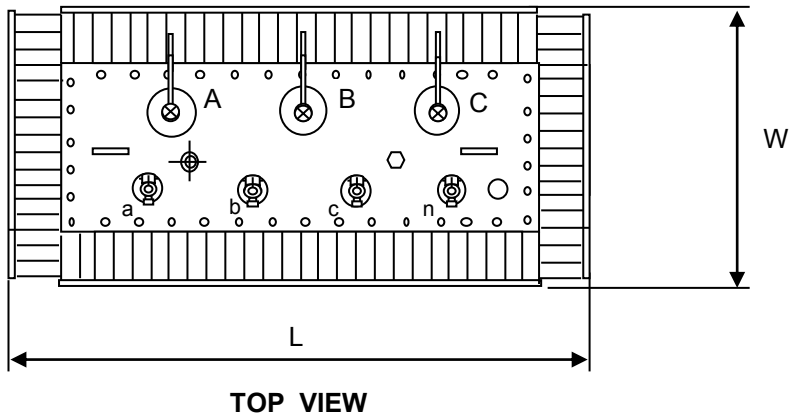
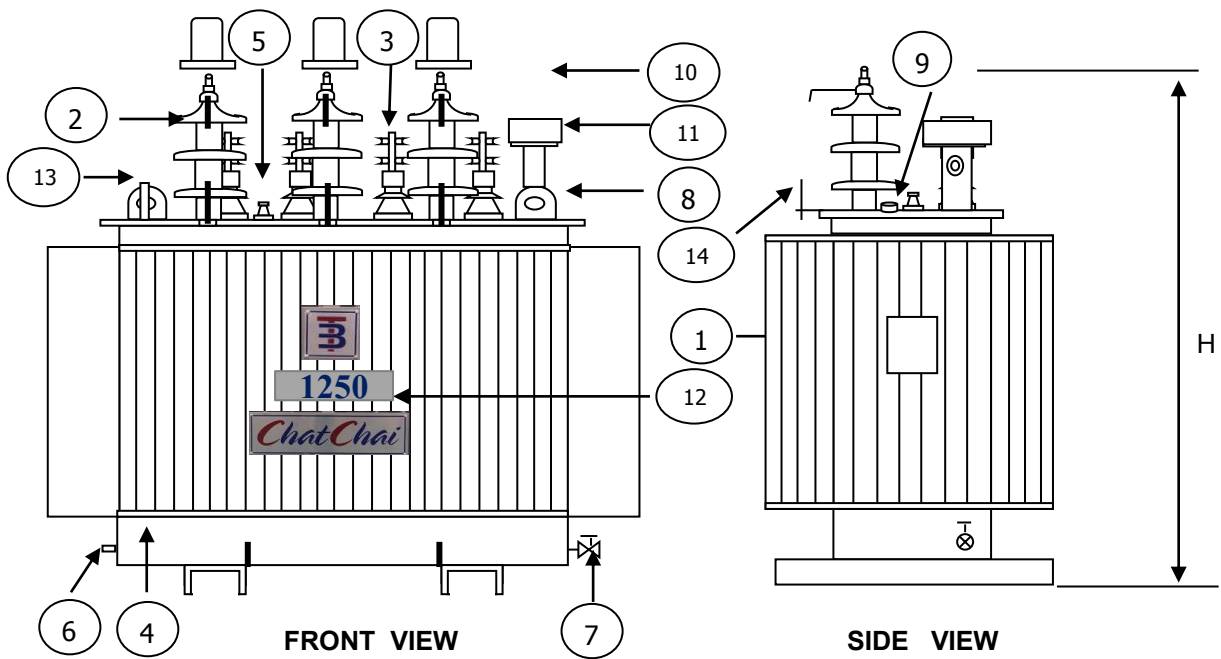
Information

C

C

Project :

Rated power	1250
Type of transformer	Oil immersed (Hermetically sealed)
Accessories	
H.V. Bushing with terminal connector	Included
L.V. Bushing with terminal connector	Included
Grounding pad or earth terminal	Included
upper fillter press sampling valve	Included
Oil drain, filter press sampling valve	Included
Name plate	Included
Arcing Horn	Included
Skid Base	Included
Mechanical pressure relief device	Included (without contact)
Oil level indicator	Included (with contact)
	Included (with contact)
	Included (with contact)
Testing	
- Routine test	
Ratio test at each position of tap	Included
Polarity and phase relation test	Included
Resistance measurement	Included
No - Load loss and exciting current test	Included
Impedance and load loss test	Included
Applied potential test	Included
Induced potential test	Included
Insulation resistance test	Included
Oil test	Included
- Specia test	
Impulse withstand test	Included (TR lab)
Temperature rise test	Included (TR lab)



NO	DESCRIPTION	QTY.
1	NAMEPLATE WITH CONNECTION DIAGRAM	1
2	HV. BUSHING W / TERMINAL CONNECTOR	3
3	LV. BUSHING W / TERMINAL CONNECTOR	4
4	TANK	1
5	TAP CHANGE	1
6	EARTH TERMINAL	1
7	OIL DRAIN VALVE	1
8	LIFTING EYES ON THE COVER	2
9	OIL LEVEL INDICATOR	1
10	OIL FILLING PIPE	1
11	OIL LEVEL GAUGE	1
12	LOGO	1
13	THERMOMETER POCKET	1
14	ARCING HORN	3

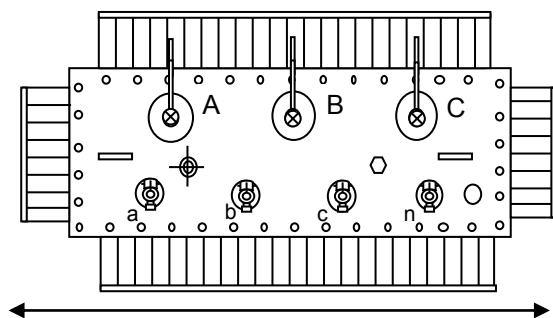
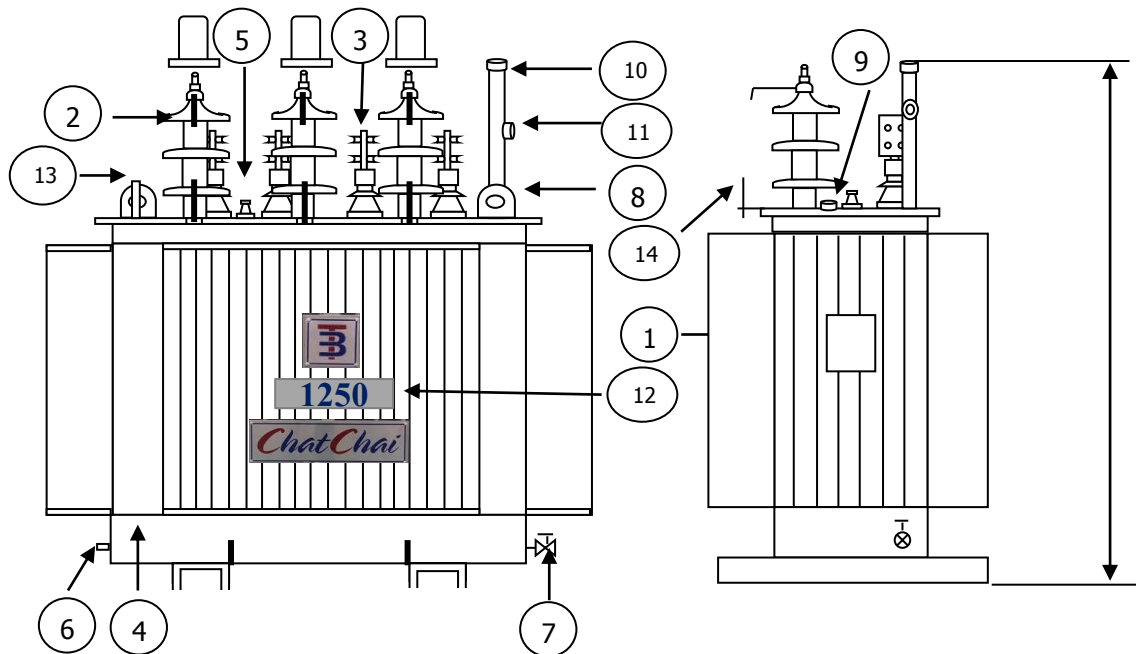
CHATCHAI TRANSFORMER CO.,LTD.

Dimension in millimetres			Total wt.	Oil
H	L	W	(Kgs.)	(Litres)
2500	2300	1700	3380	980
DESIGN No. 001250TR 090052			S/O No. A090052	
NAME		TITLE : OUTLINE DRAWING		
DRN.BY		1250 kVA. 3 Ph. Dyn11		
CHK.BY		22000 - 400 / 230 v.		
APP. BY		TYPE : Hermetically sealed tank		

PRELIMINARY DRAWING

This drawing is for estimation only showing approximate dimensions and should not be used for actual purposes

In case of order a definite drawing will be produced for formal approval



TOP VIEW

NO	DESCRIPTION	QTY.
1	NAMEPLATE WITH CONNECTION DIAGRAM	1
2	HV. BUSHING W / TERMINAL CONNECTOR	3
3	LV. BUSHING W / TERMINAL CONNECTOR	4
4	TANK	1
5	TAP CHANGE	1
6	EARTH TERMINAL	1
7	OIL DRAIN VALVE	1
8	LIFTING EYES ON THE COVER	2
9	OIL LEVEL INDICATOR	1
10	OIL FILLING PIPE	1
11	OIL LEVEL GAUGE	1
12	LOGO	1
13	THERMOMETER POCKET	1
14	ARCING HORN	3

CHATCHAI TRANSFORMER CO.,LTD.

Dimension in millimetres			Total wt.	Oil
H	L	W	(Kgs.)	(Litres)
2500	2300	1700	3380	980

DESIGN No. 001250TR 090052 **S/O No.** A090052

NAME	TITLE : OUTLINE DRAWING 1250 kVA. 3 Ph. Dyn11 22000 - 400 / 230 v.
DRN.BY	
CHK.BY	
APP. BY	TYPE : Hermetically sealed tank

PRELIMINARY DRAWING

This drawing is for estimation only showing approximate dimensions and should not be used for actual purposes

In case of order a definite drawing will be produced for formal approval