



ChatChai

SPECIFICATION

OIL IMMERSED TRANSFORMER

3150 KVA. 3 Ph. 50 Hz

22000 - 400 / 230 V.



ChatChai

SPECIFICATION THREE PHASE TRANSFORMER 35/4 Moo 8 Thamai, Krathumban, Samutsakhon

Transformer Specification

Quote. Ref :

Customer :

Project :

Rated powerKVA	3150	
Type of transformer	-	Oil immersed (Hermetically sealed)	
Standard	-	IEC 76	
Cooling System	-	ONAN	
No. Of phase	-	3	
FrequencyHz	50	
Rate of voltage : PrimaryV.	22000	
: SecondaryV.	400/230	
Vector group	-	Dyn 11	
Tapping Type	-	Off Circuit Tap Changer	
No. of steps	-	5	
Percentage of tapping	-	± 2 x 2.5 %	
Impedance voltage at 75 C%	7	
NO - Load current%	3	
Ambient temperatureC	40	
Average Temperature rise of windingC	65	
Average Temperature rise of top oilC	60	
Noise level not more thandB	56	
No - Load lossWatt	4100	
Load loss at 75 CWatt	33000	
Efficiency at P.F. = 1	: 25 % of rate power%	99.42
	: 50 % of rate power%	99.22
	: 75 % of rate power%	90.04
	: 100 % of rate power%	98.84
Voltage regulation	: at P.F. = 0.8%	3.22
	: at P.F. = 0.9%	2.71
	: at P.F. = 1.%	1.29
Impulse Withstand Voltage	: Primary windingKV.	125
	: Secondary windingKV.	-
Power Frequency	: Primary windingKV.	50
	: Secondary windingKV.	3
Terminal arrangement H.V. Side		Cable	
L.V. Side		Cable	
Installation on		Pole mounted / Plantform	



ChatChai

SPECIFICATION THREE PHASE TRANSFORMER 35/4 Moo 8 Thamai, Krathumban, Samutsakhon

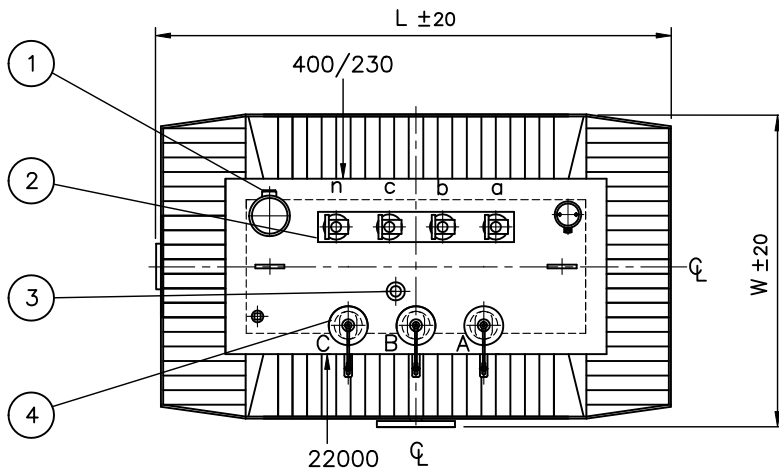
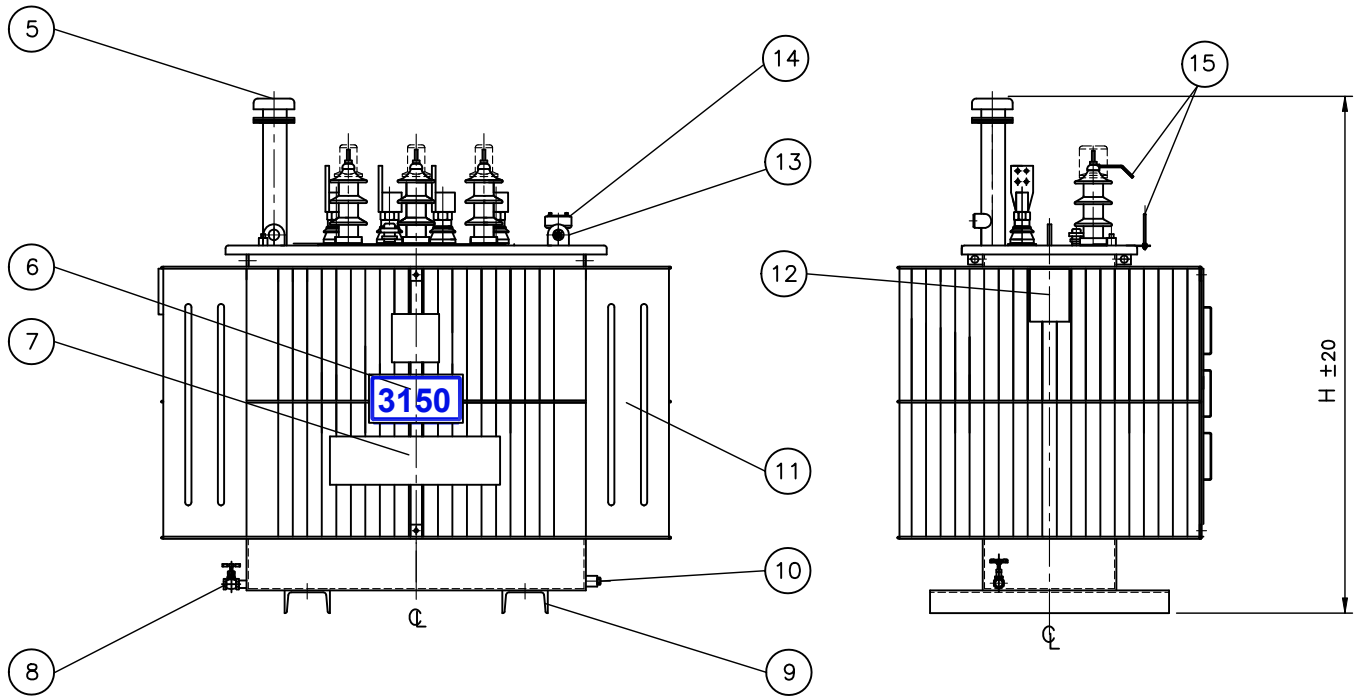
Transformer Specification

Quote. Ref :

Customer :

Project :

Rated power	3150
Type of transformer	Oil immersed (Hermetically sealed)
Accessories	
H.V. Bushing with terminal connector	Included
L.V. Bushing with terminal connector	Included
Grounding pad or earth terminal	Included
upper fillter press sampling valve	Included
Oil drain, filter press sampling valve	Included
Name plate	Included
Arcing Horn	Included
Skid Base	Included
Mechanical pressure relief device	Included (without contact)
Oil level indicator	Included (with contact)
	Included (with contact)
	Included (with contact)
Testing	
- Routine test	
Ratio test at each position of tap	Included
Polarity and phase relation test	Included
Resistance measurement	Included
No - Load loss and exciting current test	Included
Impedance and load loss test	Included
Applied potential test	Included
Induced potential test	Included
Insulation resistance test	Included
Oil test	Included
- Specia test	
Impulse withstand test	Included (Chatchai lab)
Temperature rise test	Included (Chatchai lab)



NO.	DESCRIPTION
1	OIL LEVEL GAUGE
2	LV BUSHING
3	OFF-LOAD TAP CHANGER
4	HV BUSHING with INSULATION CAP
5	PRESSURE RELIEF VALVE
6	CAPACITY PLATE
7	TRADE MARK with COMPANY PLATE
8	OIL DRAN VALVE with PLUG
9	FOUNDATION
10	EARTH TERMINAL
11	CORRUGATED FIN
12	NAME PLATE
13	LIFTING EYES for UNTANKING
14	THERMOMETER
15	ARCHING HORN

PRELIMINARY DRAWING

This drawing is for estimation only showing approximate dimensions and should not be used for actual purposes. In case of order a definite drawing will be produced for formal approval.



Chat Chai

Dimension in millimetres			Total wt.	Oil
H	L	W	(kgs.)	(litres)
2200	2400	1500	8750	2600
DESIGN No. 0013T315022000		S/O No. A0017560		
NAME		TITLE : OUTLINE DRAWING		
DRN.BY		3150kVA 3Ph.Dyn11		
CHK.BY		22000-400/230V.		
APP.BY		TYPE : Hermetically Sealed Tank		